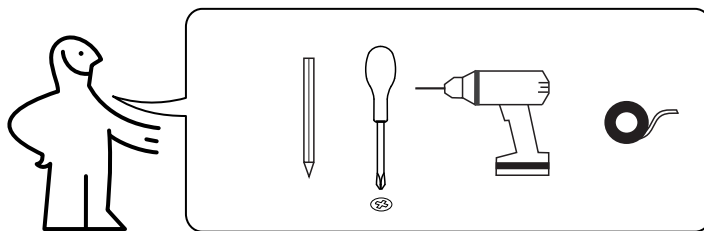
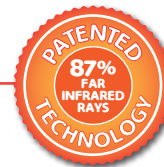
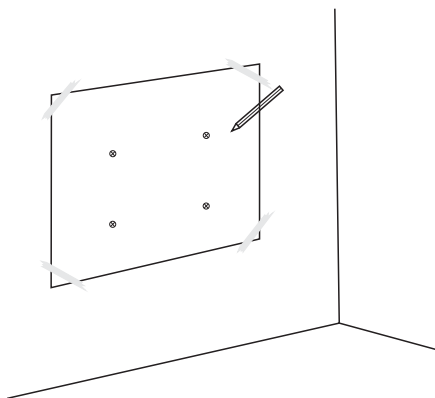


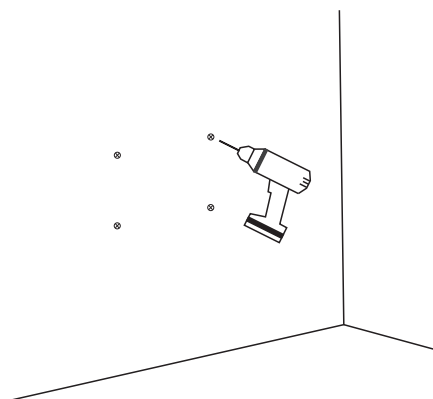
IC Series Installation Sheet



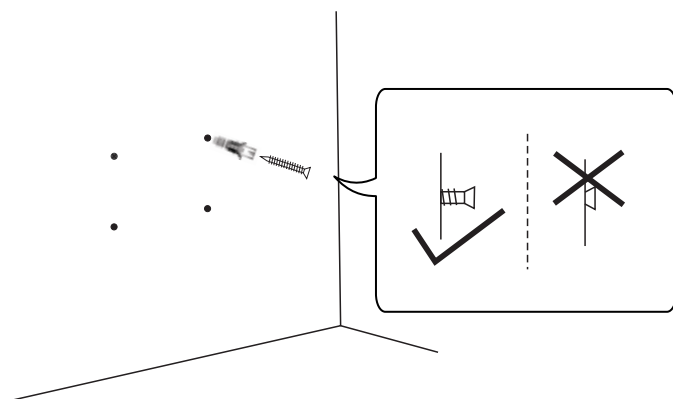
1



2



3



4

