

# Operating instructions

# Infrared heaters

*IPX5*

- IR 1000
- IR 1500
- IR 1800
- IR 3000
- IR 3600
- IR 4500



Pourquery



Test report :

RD05606\_0\_FR

RD07939\_0\_FR

12/12/13

Before using the product, read the instructions carefully.

BRC SAS cannot be held responsible for any damage to persons or things as a result of noncompliance with the instructions below.

Compliance with all the information given in this booklet will ensure a long life as well as electrical and mechanical reliability of the device. Keep this instruction booklet.

IMPORTANT INFORMATION FOR DISPOSAL COMPATIBLE WITH THE ENVIRONMENT .

IN SOME COUNTRIES OF THE EUROPEAN UNION, THIS PRODUCT DOES NOT FALL WITHIN THE SCOPE OF APPLICATION OF NATIONAL LAW OF ACCEPTANCE OF RAEE DIRECTIVE AND IS THEREFORE SUBJECT TO ANY OBLIGATION OF SORTING THE END OF LIFE .

This product complies with EC Directive EU2002.96 . The symbol of the crossed out trash on the device indicates that when the product reaches its end of life, it must be subject to special treatment and should be entrusted to a sorting center for electrical and electronic appliances or be returned to the seller to purchase a new equivalent. User is responsible for the transfer of the unit at the end of life for appropriate sorting structures, subject to penalties under the legislation on waste. Sorting and recycling the dismantled unit helps to prevent potential negative effects on the environment and on health and promotes recycling materials the product is made of. For more detailed information about the collection systems available, contact your local waste disposal service or the shop where the purchase was made. Producers and importers assume their responsibilities for recycling, treating and disposing in an environmentally compatible way, either directly or by participating in a collective system.

## DESCRIPTION

IR is an extremely versatile infrared heater. It can be used in different situations and is a calorie booster for all your activities. It's warmth is immediate and it consumes little power, it takes up little space but it can heat large spaces. IR has been designed and assembled with the best standard components and / or certificates for safe use.

## ACCESSORIES

- cable or junction box for power connection
- protection grid
- Adjustable Wall Mounting

## WARNINGS

**Do not use this product for purposes other than those described in this manual.**

- 1 . After removing the product from its packaging, make sure of its integrity. In case of doubt, contact the manufacturer immediately or a Technical Assistance Center allowed.
- 2 . Keep packaging parts out of the reach of children or dependent persons .
- 3 . Do not sit and do not place objects on the unit .
- 4 . Do not use the device in the presence of flammable vapors or substances such as alcohol , insecticides , gasoline, etc. ...
- 5 . If you decide to permanently remove the unit, disconnect before storing it out of the reach of children and dependent persons . In addition , we recommend making it unusable by cutting off its power cord.
- 6 . Do not use the unit right next to a bathtub, a shower or a swimming pool : follow in all cases the safety distances prescribed by your local regulations.
- 7 . Do not touch the appliance with wet hands.
- 8 . Do not touch the appliance with bare feet.
- 9 . This device is not suitable for use by persons (including children) with reduced physical, sensory or mental capabilities, or lack of experience or knowledge of the operation, unless they have been educated or trained for use of the unit by a person responsible for security. Children should be supervised to ensure they do not play with the appliance.
- 10 . The temperature of the unit during operation is particularly high and it is necessary to avoid contact with hot surfaces with bare skin. Before any intervention, it is advisable to turn off the power and wait at least 5 minutes.
- 11 . Do not make any changes of any kind whatsoever to the device.
- 12 . Extra care when used in unsupervised spaces.
- 13 . Visually inspect the unit periodically to ensure its integrity. If an error is detected avoid using it and contact the manufacturer or the authorized Technical Assistance Centre immediately.
- 14 . The facility will incorporate a means for disconnection in the fixed wiring in accordance with the installation requirements.
- 15 . The device must be properly connected to an electrical circuit in compliance with standards and equipped with an effective mass. In case of doubt, perform the appropriate check by a professionally qualified staff.
- 16 . Product installation must be carried out in accordance with the instructions in this manual, by a professionally qualified staff. All mounting and / or incorrect electrical connections can cause damage to people, animals and objects BRC SAS cannot be held responsible.

17. Only connect the device to the power supply circuit if the voltage and the scope of the system correspond to the data plate on the device and do not exceed the maximum power .
- 18 . Before performing any cleaning or maintenance , switch off and disconnect the electrical circuit.
19. If the product falls or gets beaten , request a review by the manufacturer or the authorized Technical Assistance Centre immediately.
- 20 . During handling interventions, do not touch the lamp directly but act only on the ends. The lamp is damaged by contact with bare hands, in this case, the product warranty coverage is cancelled.
21. Accidental contact with the surface of the bulb, proceed to the immediate cleaning with a cloth moistened with alcohol .
22. In case of malfunction and / or failure, turn off the power immediately and contact the manufacturer or the authorized Technical Assistance Centre .
23. To avoid danger, for any repairs, require the use of original spare parts .
- 24 . Turn the power off when: a) you encounter a malfunction b) you decide to maintain or external cleaning c) you decide not to use the unit for a long time.
- 25 . Do not cover or obstruct the front grid where the heat comes .
26. Do not cover or obstruct the device during operation.
27. Ensure the cleanliness of the front grid.
28. To avoid risk of fire, do not install and heat near or towards curtains, beds or other flammable objects elements, in any case, make sure the unit is positioned to a sufficient distance to avoid the risk of damage or fire.
29. When used with automatic ignition devices, ensure that they are sized by a certified installer.
- 30 . The protection system of the device has been specially designed to prevent direct access to the radiating elements, so it should not be removed during operation.

- Connect IR to an adequate power system:
  - IR 1500 and 3000 to a single phase 220-240 V whose electrical wire section is 1.5 mm<sup>2</sup>.
  - IR 4500 to a three-phase 380 V power tetra ( H05VV -F , 5 x 2.5 mm<sup>2</sup>)
- IR must be provided with a grounded mass
- Check that the power supply is adapted to the electrical load to install
- Touch only the tips. If you inadvertently touch the surface of the lamp , clean immediately by wiping with a cloth moistened with alcohol
- The lamp is damaged if touched with bare hands
- Do not cover or obstruct the device during operation
- The replacement of the power cable must only be performed by the manufacturer or by the assistance service or a qualified technician.
- Be careful, if you install IR near curtains or umbrellas, make sure the device does not get in contact with them.

## INSTALLATION

IR must be fixed to the wall using the supplied bracket screw and 60 cm from the ceiling (see installation example ) .

Ideally, it should be installed at a height of 2.50 m to 3 m and in any case not less than 1.80 m.

The wall installation provides the best heat result with an inclination of 45 ° and the device positioned perfectly horizontal. The device must not be installed under a socket.

1) Set the reflector of IR in the beam direction required for wall mounting . There is normally an inclination of about 45 ° relative to the horizontal position.

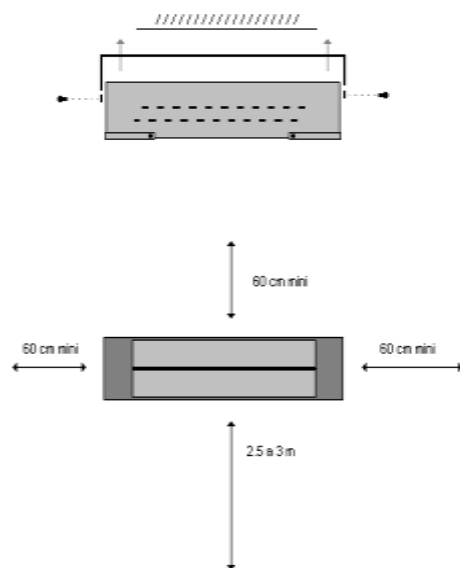
2) Never install IR on a flammable surface or direct it to a flammable surface.

3) IR must be placed at a clear distance (line of sight ) not less than 2 m from objects as cardboard , cloth, etc. .... If placed in workshops and garages using flammable or combustible paints, IR must be placed at least 4 m from the source of danger.

4) It is advisable not to install IR in very dusty environments , to avoid damaging the lamp.

### **WALL INSTALLATION**

Always place IR horizontally, as shown in the diagram.

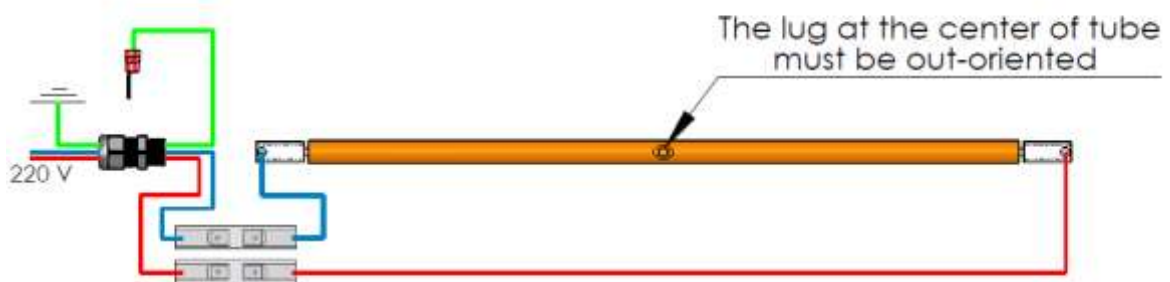


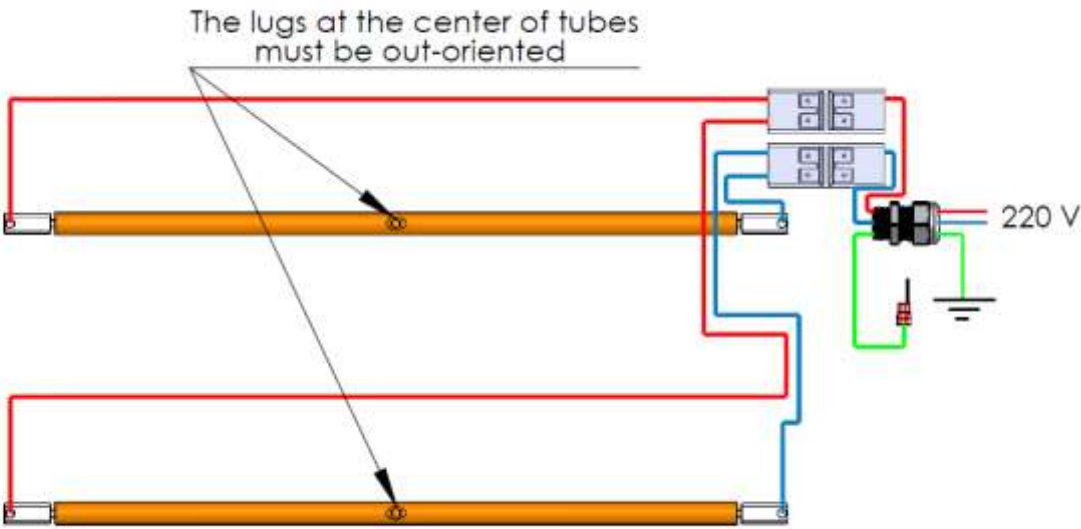
## MAINTENANCE AND LAMP REPLACEMENT

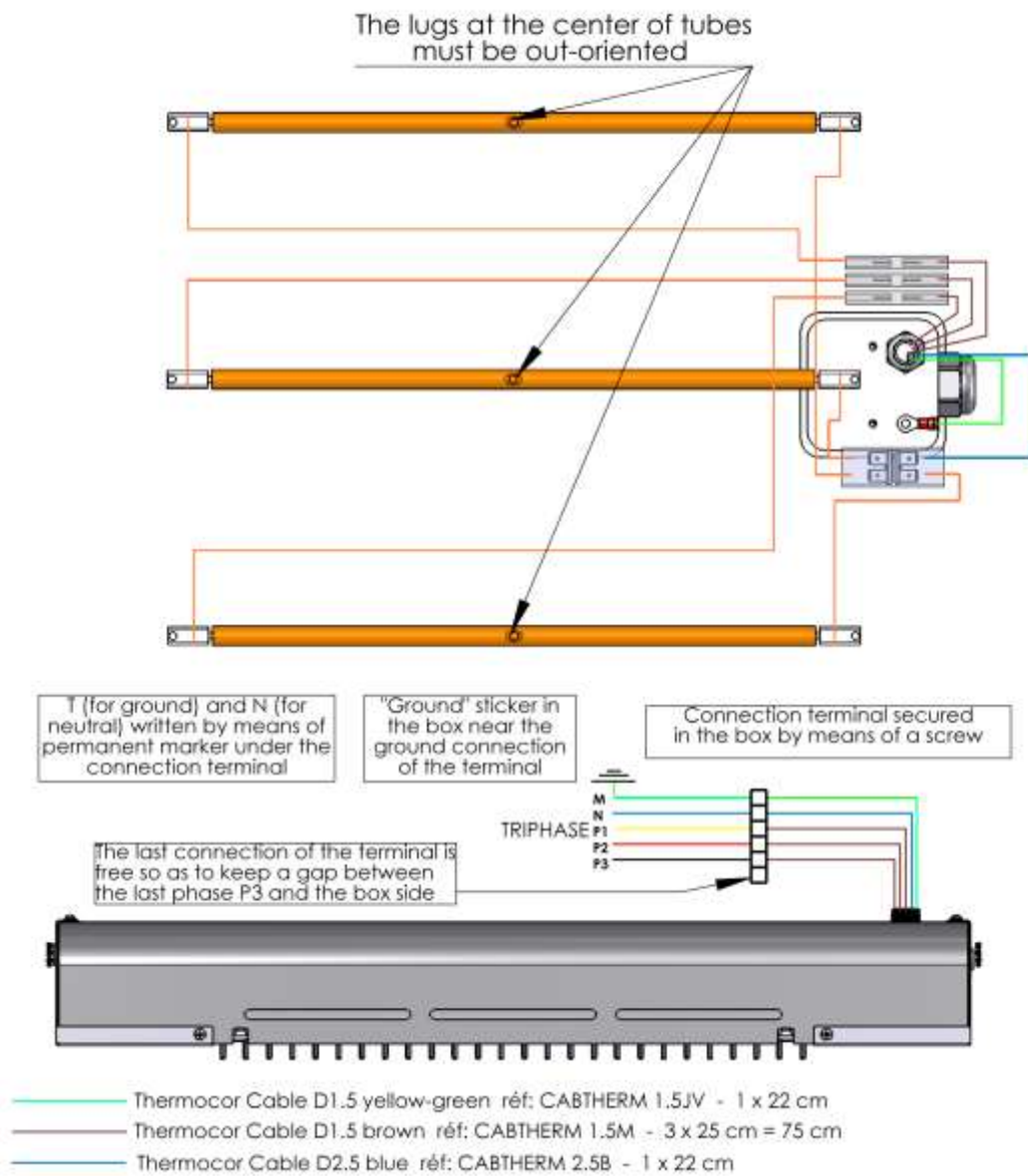
The lamp replacement should only be performed by the manufacturer, by the assistance service or a qualified technician. It is advisable to occasionally dust the dish and the lamp using a brush or compressed air to still get the caloric efficiency of IR.

## RADIANT WIRING DIAGRAM

IR 1000 / IR1500 / IR 1800



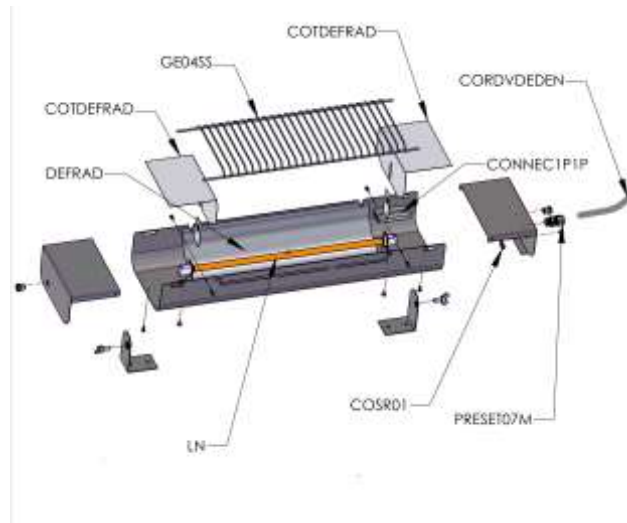




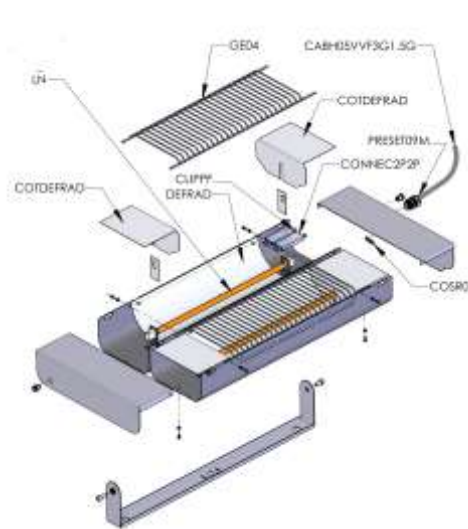


## SPARE PARTS

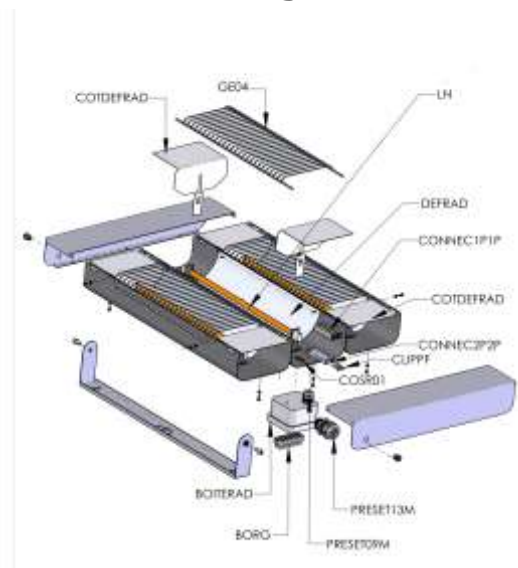
Exploded diagram IR 1000 / IR 1500 / IR 1800



Exploded diagram IR 3000 / IR 3600



Exploded diagram IR 4500



## WARRANTY CERTIFICATE

We thank you for your purchase of our patio heaters IR. The warranty period is 24 months from the date of purchase of the device and it stops after a prescribed period

The sales receipt or other document, mandatory for taxes, shows the starting date of the warranty. We guarantee all substitutions or repairs required due to defects in materials or construction. The replacement or repair subject to normal wear parts are therefore excluded (lamp, etc ...)

The guarantee is not recognized if the unit has been mistreated or when it has been damaged due to the negligence of the user, maintenance made by unauthorized person, because of personal transport, when the operating instructions have not been applied or when it was installed without regard to standards.

The warranty does not provide the substitution of the device. Repairs considered by the warranty are performed free of charge for returned goods delivered and duty paid to BRC workshop or to our distributors. Therefore only the shipping costs are the responsibility of the customer.



[www.brcsa.com](http://www.brcsa.com)

Tel. : 33.(0)2.40.34.92.36

Fax : 33.(0)2.40.34.74.76